

GET TO KNOW YOUR WATCHDOG ST

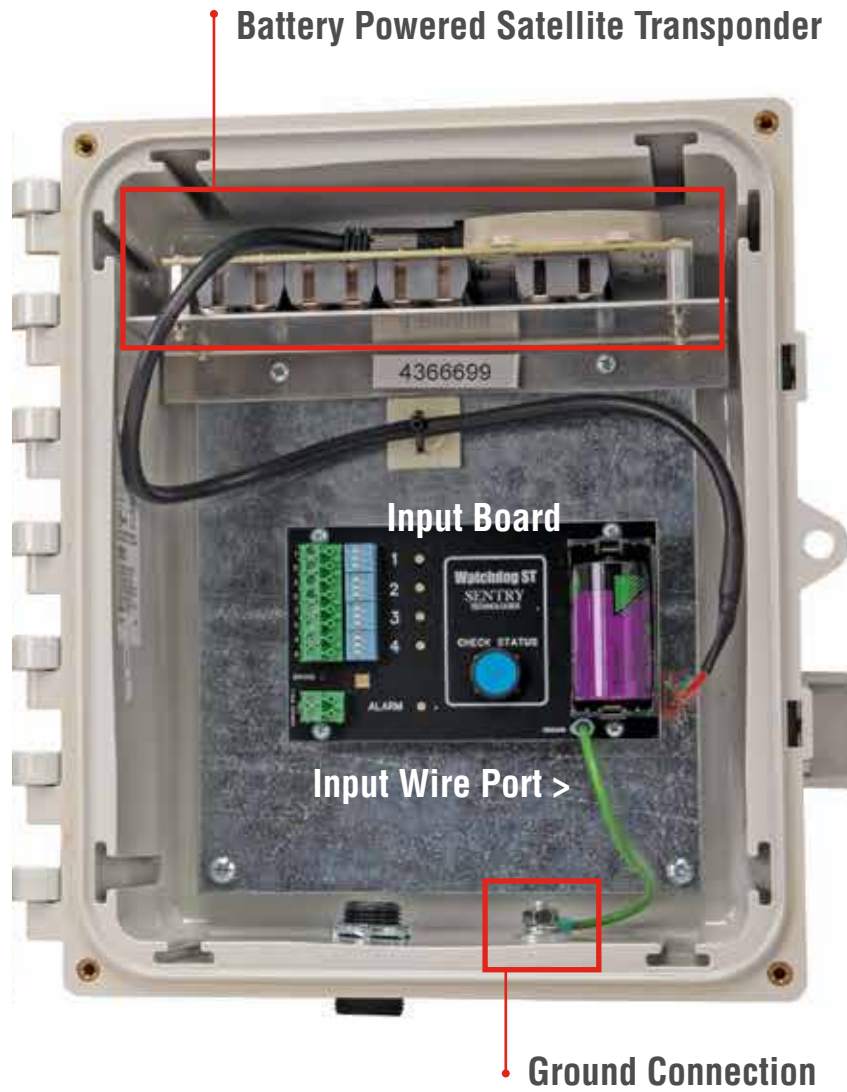


KEEP IT SIMPLE. **KEEP IT SENTRY.**

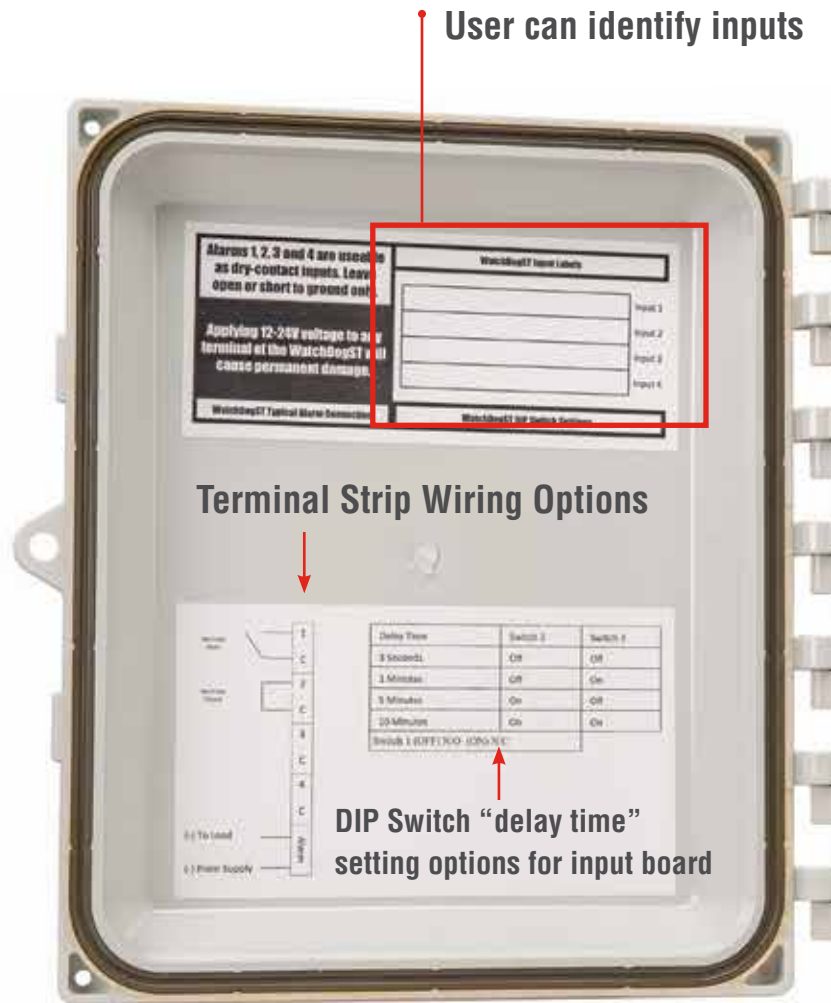


**FOR CUSTOMER SERVICE,
CALL US AT 281-561-0008.**

WATCHDOG ST ENCLOSURE OVERVIEW RIGHT SIDE

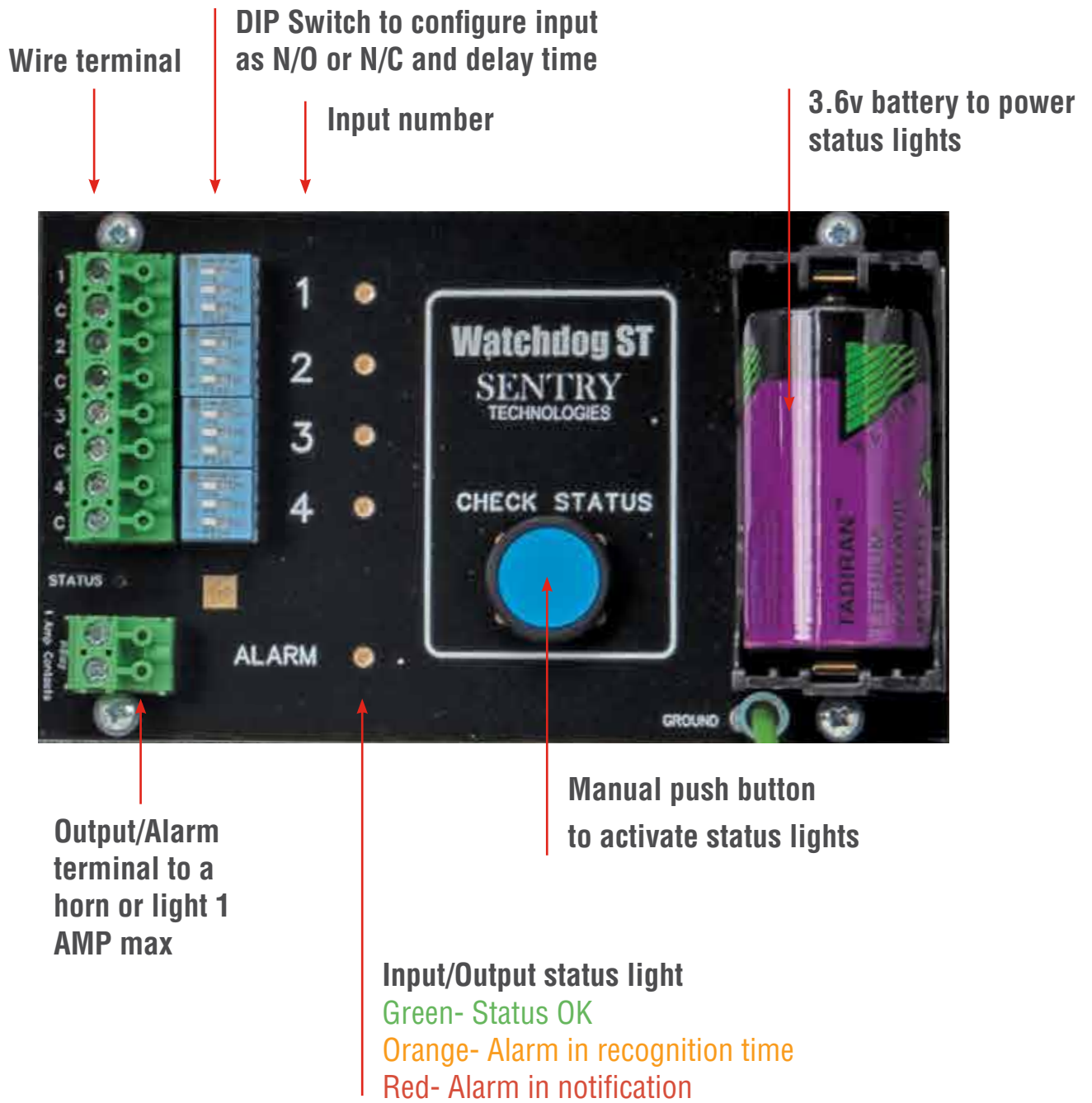


WATCHDOG ST ENCLOSURE OVERVIEW LEFT SIDE



DIP Switch "delay time" options are how long an input must be continuously in alarm to trigger notification.

WATCHDOG ST INPUT BOARD OVERVIEW





Sentry Technologies provides remote satellite monitoring of your critical systems. Customizable, easy-to-use, and backed by superior service with decades of hands-on production field experience.

WWW.SENTRYTI.COM

KEEP IT SIMPLE. KEEP IT SENTRY.